

# AC5 Series Current Sensor

## Automotive Current Open-Loop Technology

The AC5 Series provides efficient and precise sensor solutions for AC, DC and pulse currents in automotive applications. It covers from low voltage to high voltage, and provides galvanic separation between the primary circuit and the secondary circuit. It consists of three main components: an accurate low-temperature drift linear hall sensor, a flux collector and a current transformer. It offers markedly low resistance, reducing power loss and temperature drift to deliver exceptional performance.



### Feature

- Max. sensing range  $\pm 900\text{A}$  (DC or AC peak)
- Noncontact measurement of high current
- Nearly zero magnetic hysteresis
- Superior Temperature stability and linearity
- High frequency bandwidth 150kHz
- Compact size for applications with limited space
- RoHS Compliance (Lead-Free)

### Application

- DC/DC Converters
- Starter Generators
- Electrical Power Steering

### Advantage

- Accurately measures AC, DC and pulse currents
- Rapid response time  $3\mu\text{s}$
- High immunity from ambient temperature
- High ESD sensitivity (Human Body Model) 4kV
- No insertion losses
- Excellent current over-load capacity

### Standard

- IEC 60068-2-1:2007
- IEC 60068-2-2:2007
- IEC 60068-2-14:2009
- IEC 60068-2-27:2008
- IEC 60068-2-78 :2001
- ISO 11452-1

## Absolute maximum ratings

Symbol	Parameter	Min.	Max.	Unit
$V_{DD\ max}$	Maximum supply voltage (not destructive)	-0.3	6.5	V
$T_A$	Ambient operating temperature	-40	125	°C
$T_S$	Storage temperature range	-40	125	°C
$V_{ESD-HBM}$	ESD sensitivity HBM (Human Body Model)		4	kV

Stresses above these ratings may cause permanent damage. Exposure to absolute maximum ratings for extended periods may degrade reliability.

## Specifications ( $T_A = 25^\circ\text{C}$ , $V_{DD} = 5.0\text{V}$ )

Symbol	Characteristic	Test condition	Min.	Typ.	Max.	Unit
$V_{DD}$	Supply voltage		4.75	5	5.25	V
$I_C$	Current consumption	$I_P=0\text{A}$ without load		13	20	mA
$V_0$	Zero voltage	$I_P=0\text{A}$ , $T_A=25^\circ\text{C}$		2.5		V
$I_{PN}$	Current nominal measuring range	AC5-100	-100		100	A
		AC5-200	-200		200	
		AC5-300	-300		300	
		AC5-400	400		400	
		AC5-500	-500		500	
		AC5-600	-600		600	
		AC5-700	-700		700	
		AC5-800	-800		800	
		AC5-900	-900		900	
$R_L$	Output load resistance	$V_{OUT}$ to GND	4.7	10		k $\Omega$
$C_L$	Output load capacitance	$V_{OUT}$ to GND			10	nF
$G$	Nominal sensitivity (customized available)	$V_{DD}=5.0\text{V}$	2000mV@ $I_{PN}$			
$V_{OE}$	Offset voltage	$I_P=0\text{A}$	-20		20	mV

## Specifications ( $T_A = 25^\circ\text{C}$ , $V_{DD} = 5.0\text{V}$ )

Symbol	Characteristic	Test condition	Min.	Typ.	Max.	Unit
$T_{CV0E}$	Temperature coefficient of $V_{OE}$	$T_A = -40^\circ\text{C} \dots 125^\circ\text{C}$		$\pm 0.1$	$\pm 0.2$	$\text{mV}/^\circ\text{C}$
$T_{CVOUT}$	Temperature coefficient of $V_{OUT}$	$T_A = -40^\circ\text{C} \dots 125^\circ\text{C}$ (except $T_{CV0E}$ )	-1		1	$\text{mV}/^\circ\text{C}$
$\epsilon_L$	Non-linearity error	@ $\pm I_{PN}$ without offset	-1		1	$\%/I_{PN}$
<b>BW</b>	Frequency bandwidth (-3dB)			150		kHz
$T_R$	Step response to 90% $I_{PN}$	(Design target)		3		$\mu\text{s}$
$V_{om}$	Magnetic offset voltage	$I_p = 0\text{A} \rightarrow I_{PN} \rightarrow 0\text{A}$		$\pm 20$		mV
<b>NP2P</b>	Output voltage noise peak-peak	DC to 1MHz			15	mV
$\epsilon_G$	Sensitivity error				$\pm 0.6$	$\%/I_{PN}$

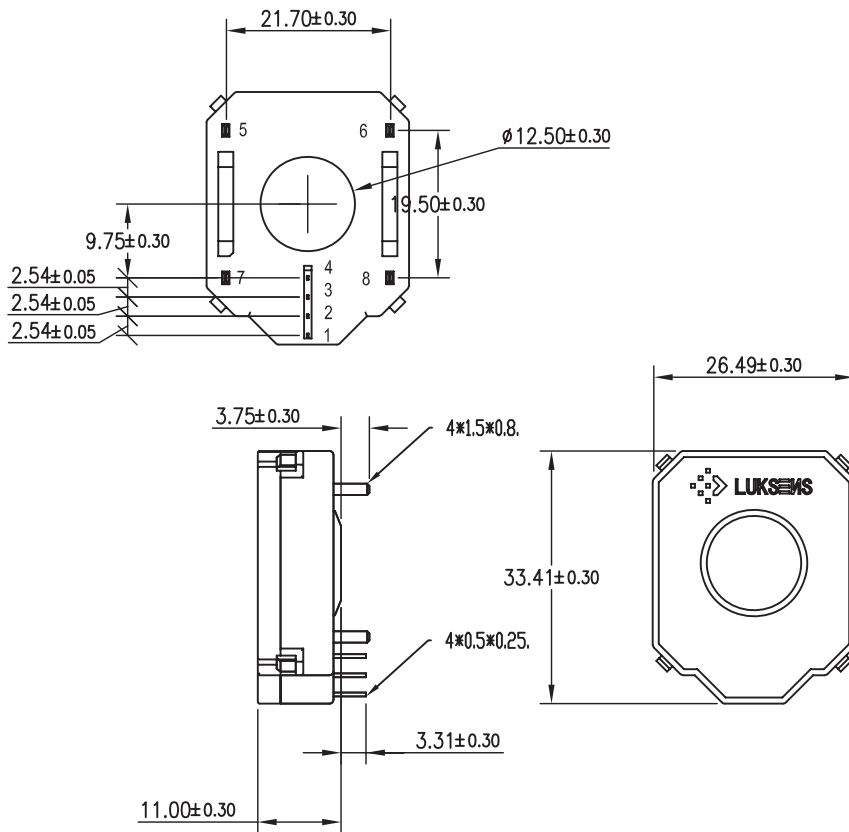
## Insulation characteristics

Symbol	Characteristic	Value	Unit	Comment
$V_D$	Insulation voltage for isolation, 50Hz, 1 min	2500	V	
$R_{ISO}$	Isolation resistance @500VDC	>500	$\text{M}\Omega$	
<b>D-CLE</b>	Clearance	2.95	mm	Normal Version
<b>D-CRD</b>	Creepage distance	2.95	mm	Normal Version

## General characteristics

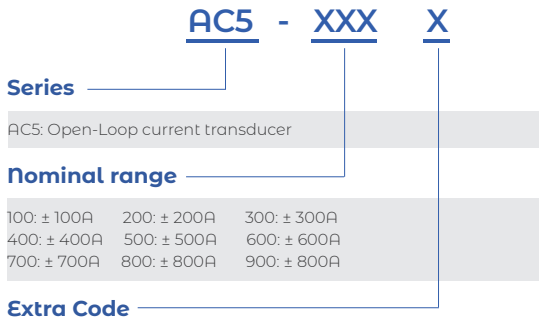
Symbol	Characteristic	Value	Unit	Comment
<b>m-HSE</b>	Housing material	V0		Flame retardant UL 94
<b>m-FC</b>	Flux collector material	Oriented Silicon Steel		Superior magnetic permeability
<b>m</b>	Mass	25	g	

## Dimension (mm)



Pin	Symbol
1	$V_{REF}$
2	$V_{OUT}$
3,5,6,7,8	GND
4	$V_{DD}$

# Name Guide Description



## Notes

The content of this document is subject to revision without notice. Luksens shall have no liability for any error or damage of any kind resulting from the use of this document.

# Safety and Environment



The product is to be installed by manufacturer trained personnel or competent person trained in accordance with manufacturer installation instructions.

With respect to applicable standards IEC 61010-1/ EN 61010-1 *safety requirements for electrical equipment for measurement, control and laboratory use part 1 general requirements*, the product should be used in limited energy secondary circuits.



## Risk of electrical shock

Certain parts of the module can carry hazardous voltage during the operation process of the product because hazardous live voltage of primary conductor, power supply occurs, injury and/or serious damage will be caused if this warning is ignored.

Conducting parts must be inaccessible after installation of the product. Additional protection including shield or protective housing could be used according to IEC 60664 Insulation coordination for equipment within low-voltage supply systems.

Disconnection of the main supply will protect against possible injury and serious damage.



## ESD protection

Damage from an ESD event will occur if the personnel is not well grounded when handling.

## Important notice

Luksens reserves the right to change the specifications, including all statements and data appearing in Luksens' catalogues, data sheets and advertisements, without notice. Luksens will publish the modified specifications on its website. If such changes to specifications are made, Luksens shall have no obligation to provide the change on Products previously purchased. The information included herein is believed to be accurate and reliable. However, since additional design, measure, production, quality control take effect in the end product, therefore Luksens shall have no liability for any potential hazards, damages, injuries or loss of life resulting from the end product. Luksens products are not to be used in any equipment or system, including but not limited to life support equipment or systems, where failure of Luksens products may cause bodily harm.